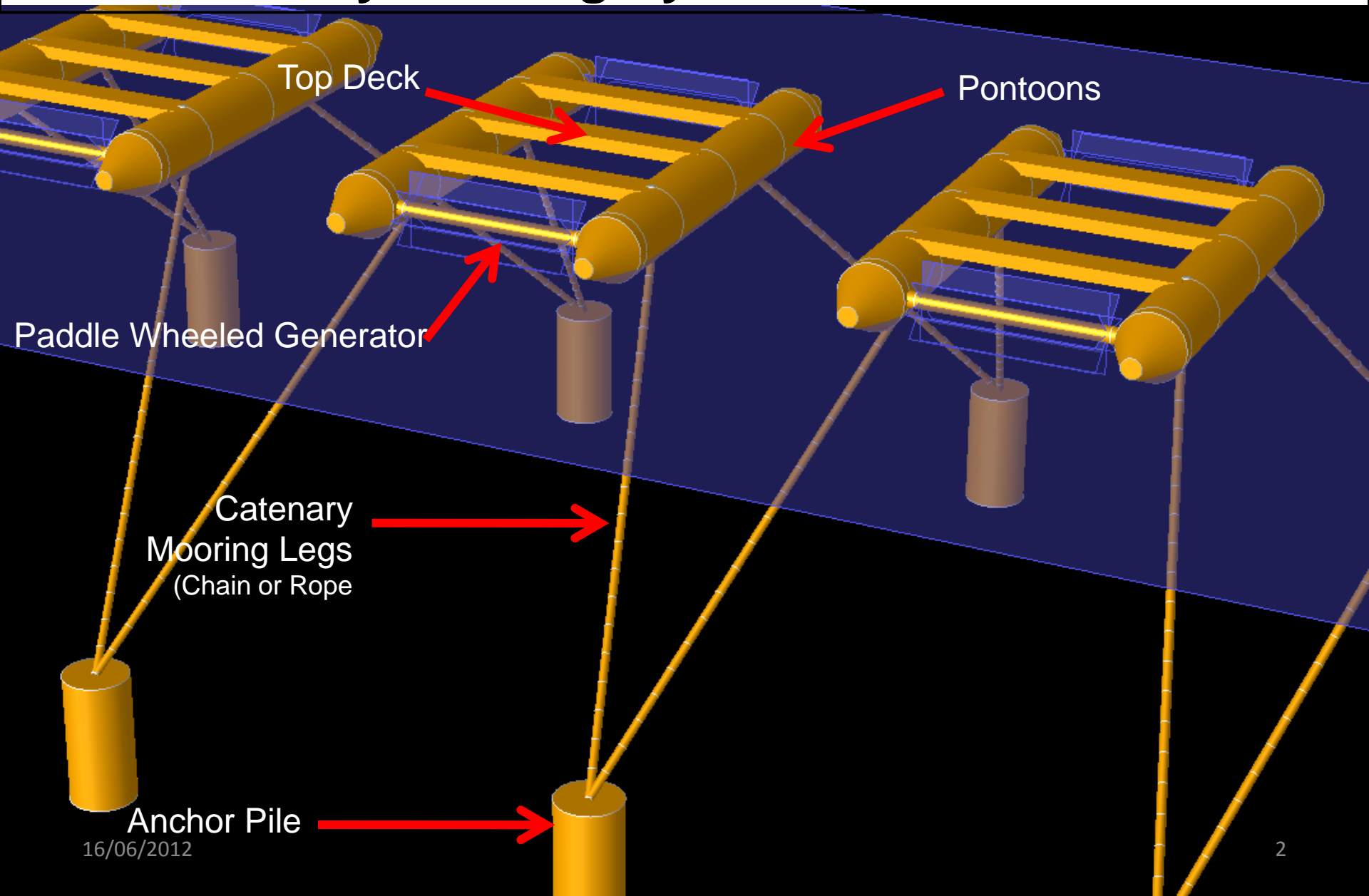


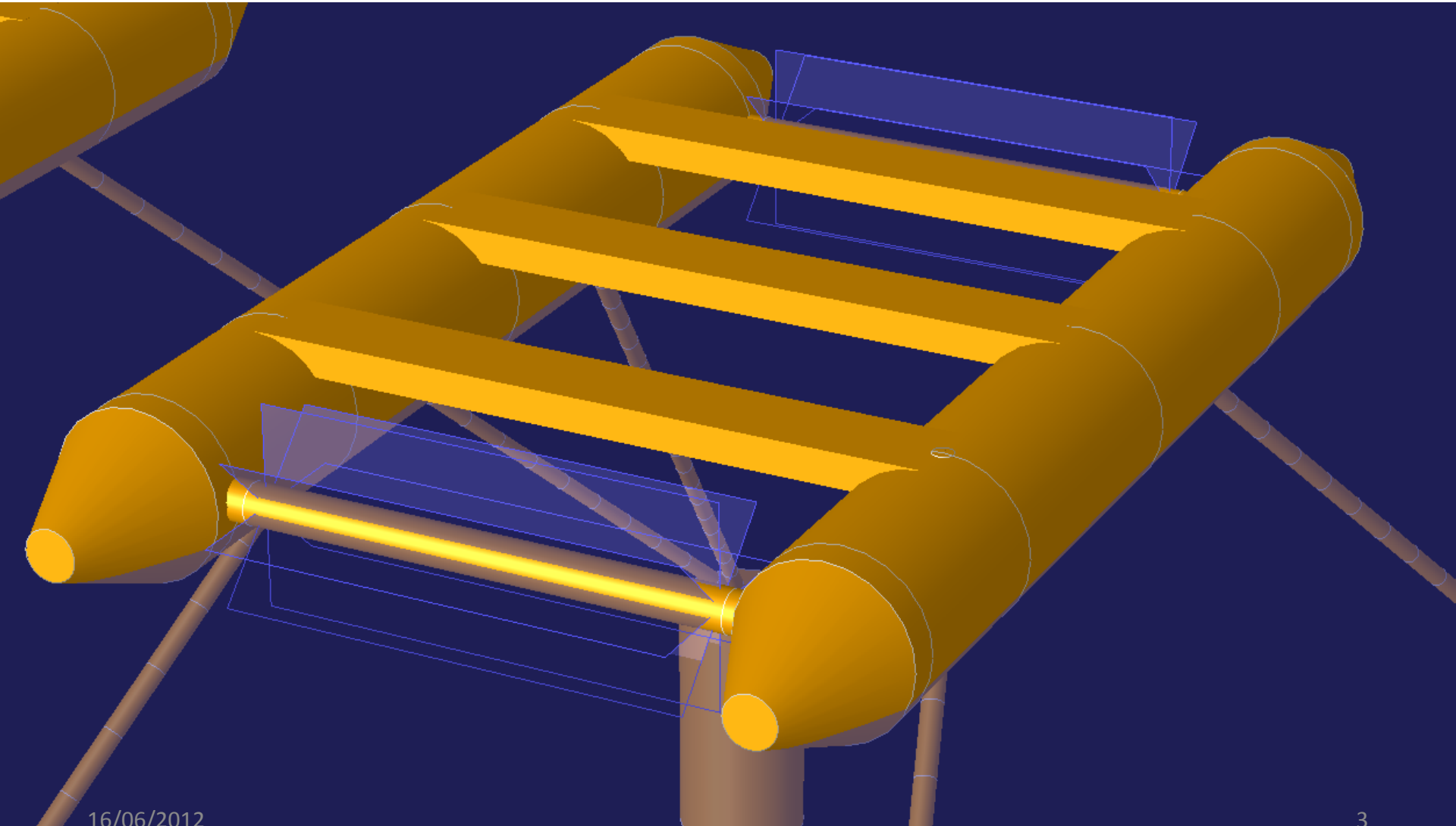
# 16A-Double Paddle Wheel Current Catcher© Farms With Catenary Mooring Systems & Round pontoons

1. can be moored in shallow to moderate water depths
2. may enjoy lower cost mooring
3. may require larger pontoons to support the higher vertical mooring system loads
4. will have increased vertical mooring load with increased water depth
5. will have increased vertical mooring load as the water's surface increases elevation with the tide, flow stages and increased draft of the pontoons
6. always stays on the surface of the water allowing it to harness the highest water currents even as the surface changes elevation with tides and flow levels
7. can have one or more paddle wheeled generators
8. allows safe surface maintenance of the entire generator system at any time
9. provides high power output for investment cost
10. the paddle wheels can turn a rotor inside the paddle wheel axles or can turn gears, drive shafts, pumps, etc. that then turn most types of generators
11. the generators can be located inside the pontoons or on the top deck
12. the generated power can be transformed on the Current Catcher©
13. the generated power can be exported from the Current Catcher© down the mooring system to the seabed or to a neighboring current catcher.
14. the system uses the simplest principles allowing low risk short duration design to installation schedules.

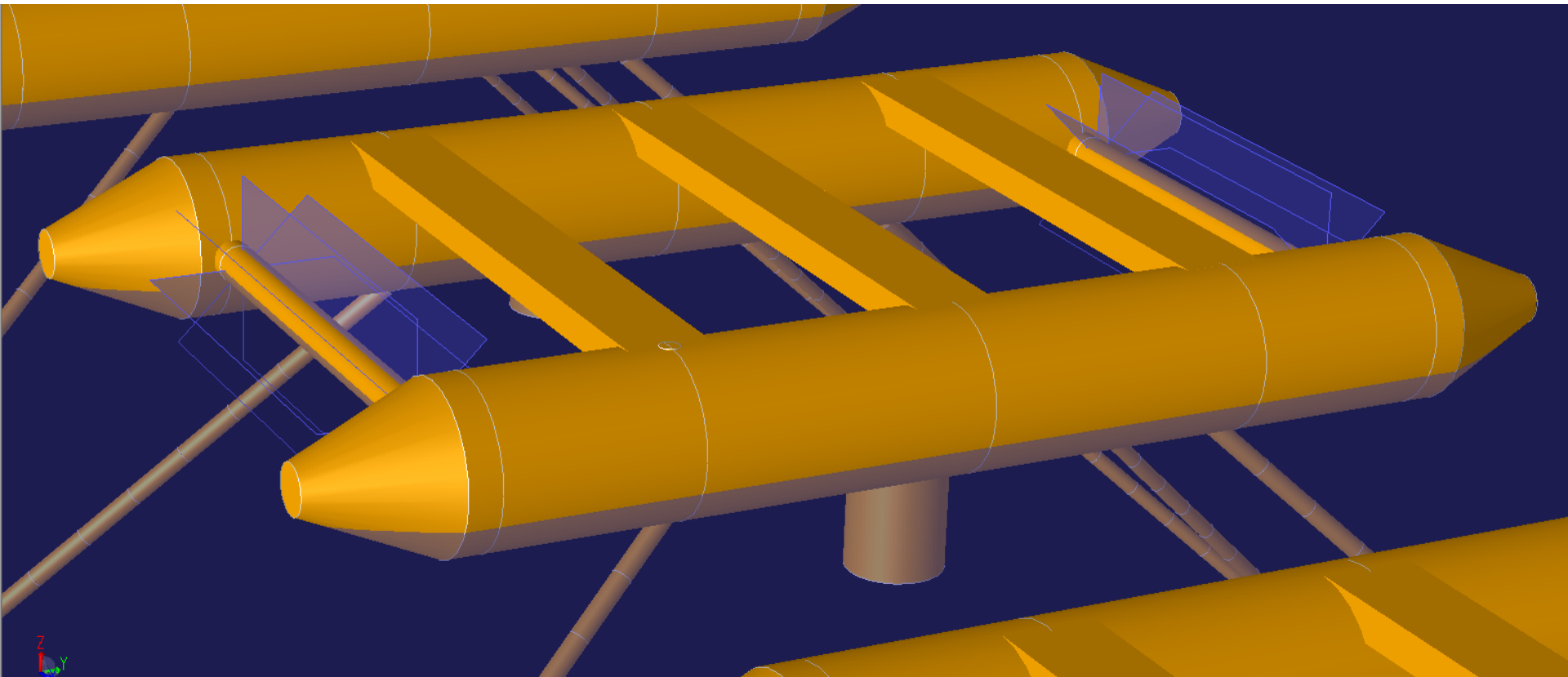
# 16A-Double Paddle Wheel Current Catcher© Farms With Catenary Mooring Systems & Round Pontoons



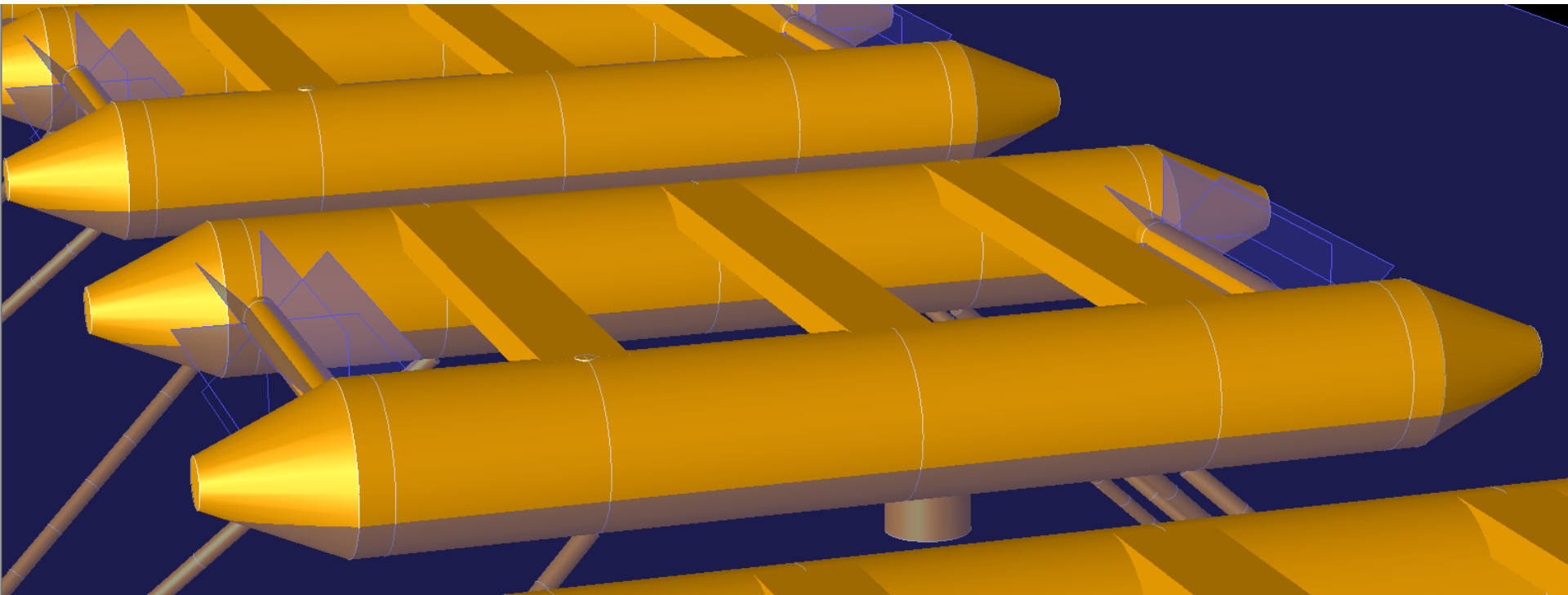
# 16A-Double Paddle Wheel Current Catcher© Farms With Catenary Mooring Systems & Round Pontoons



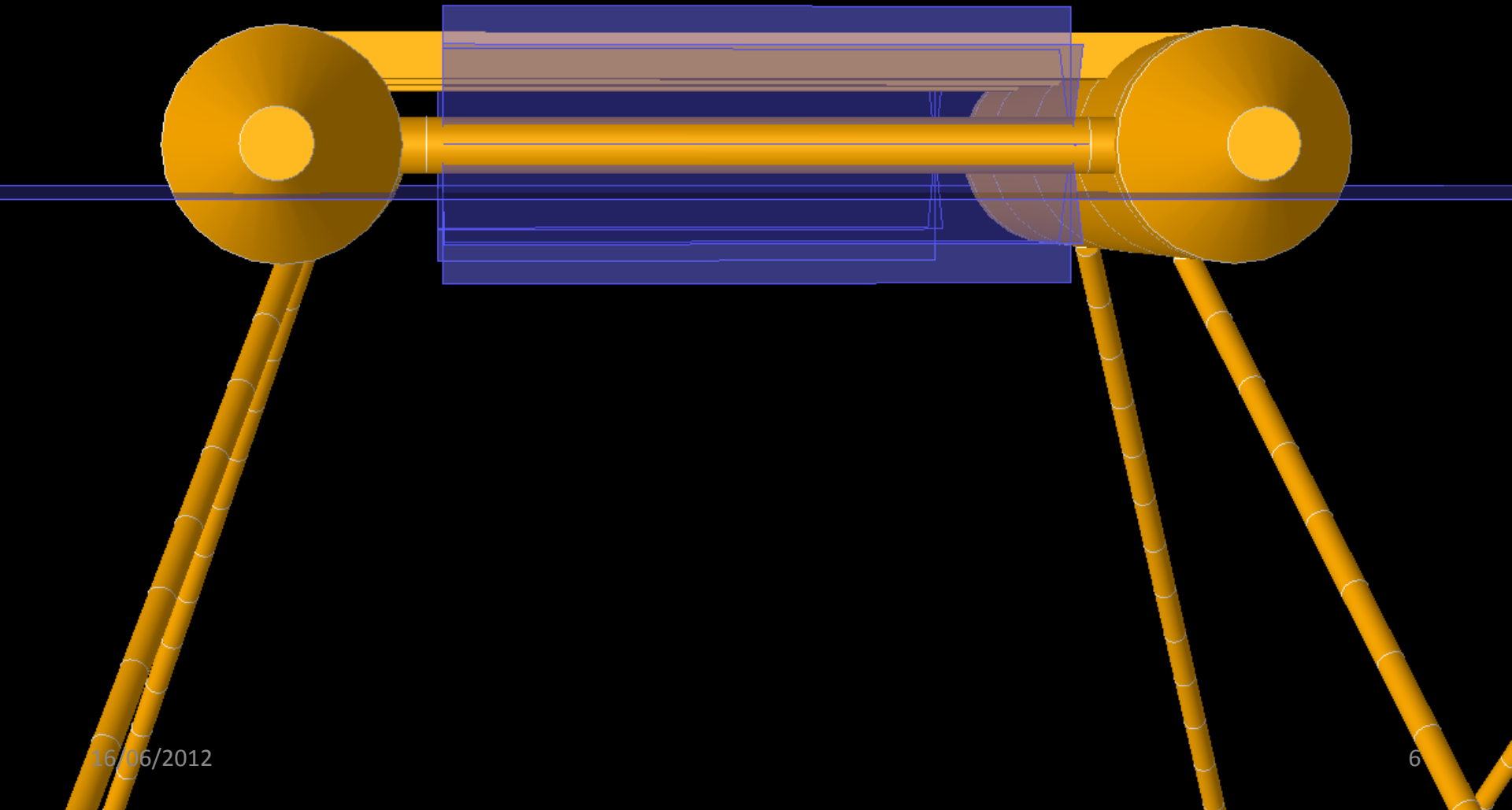
# 16A-Double Paddle Wheel Current Catcher© Farms With Catenary Mooring Systems & Round Pontoons



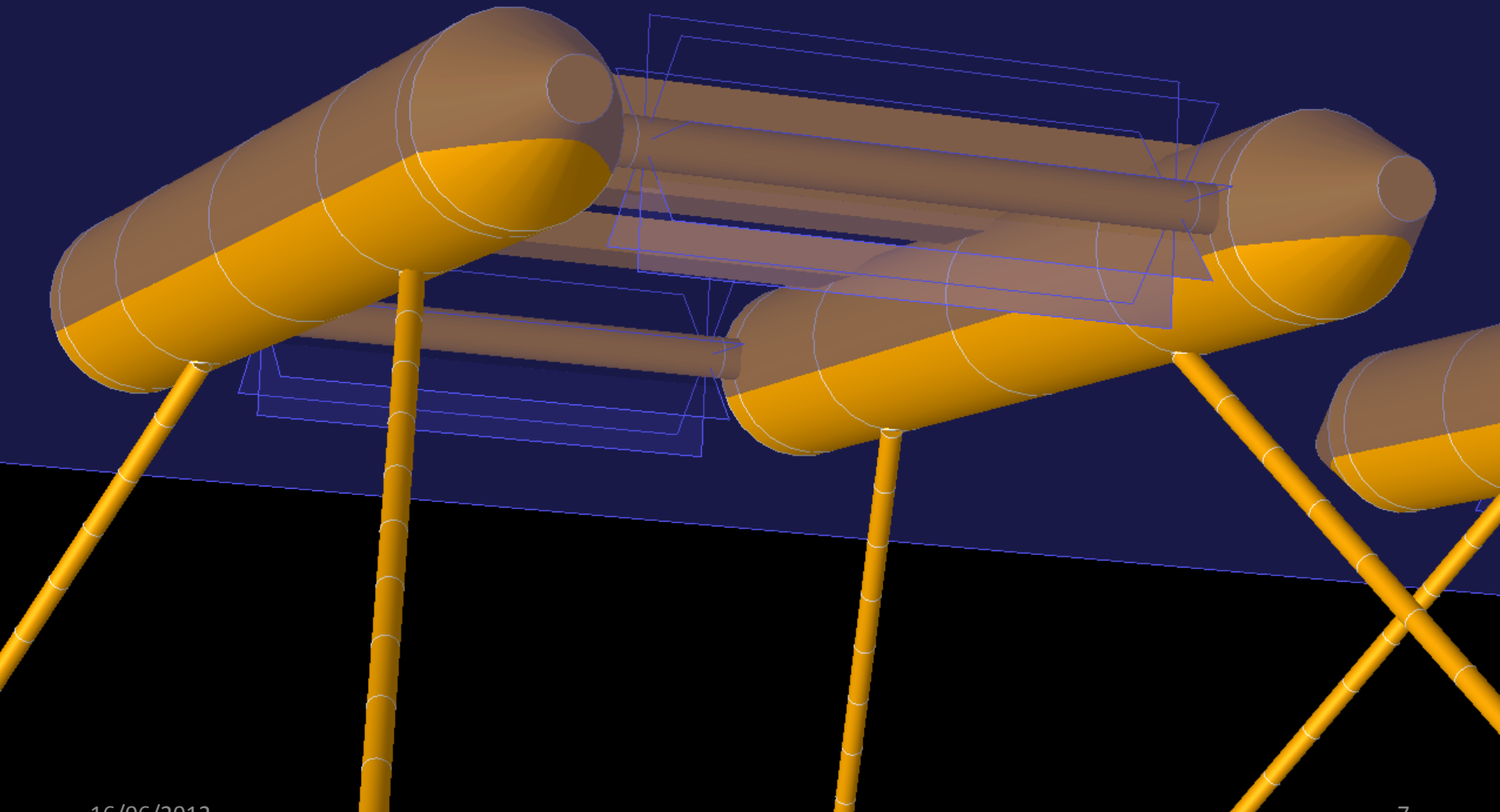
# 16A-Double Paddle Wheel Current Catcher© Farms With Catenary Mooring Systems & Round Pontoons Side View



# 16A-Double Paddle Wheel Current Catcher© Farms With Catenary Mooring Systems & Round Pontoons Bow and Stern View



# 16A-Double Paddle Wheel Current Catcher© Farms With Catenary Mooring Systems & Round Pontoons Underside View



# 16A-Double Paddle Wheel Current Catcher© Farms With Catenary Mooring Systems & Round Pontoons View of Piles and Mooring Legs

