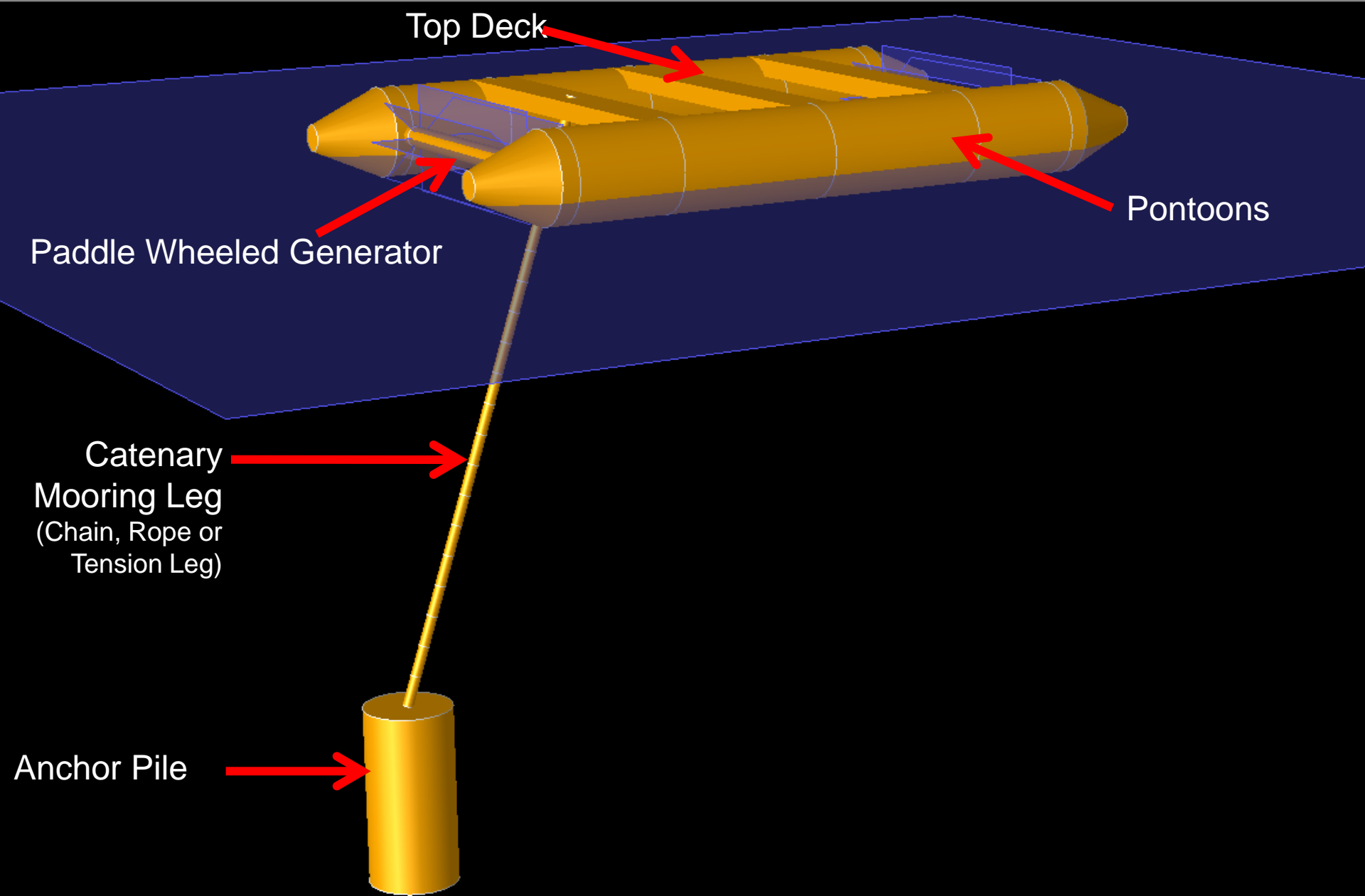


14-Stand Alone Double Paddle Wheel Current Catcher© With Round pontoons and Catenary Mooring Leg

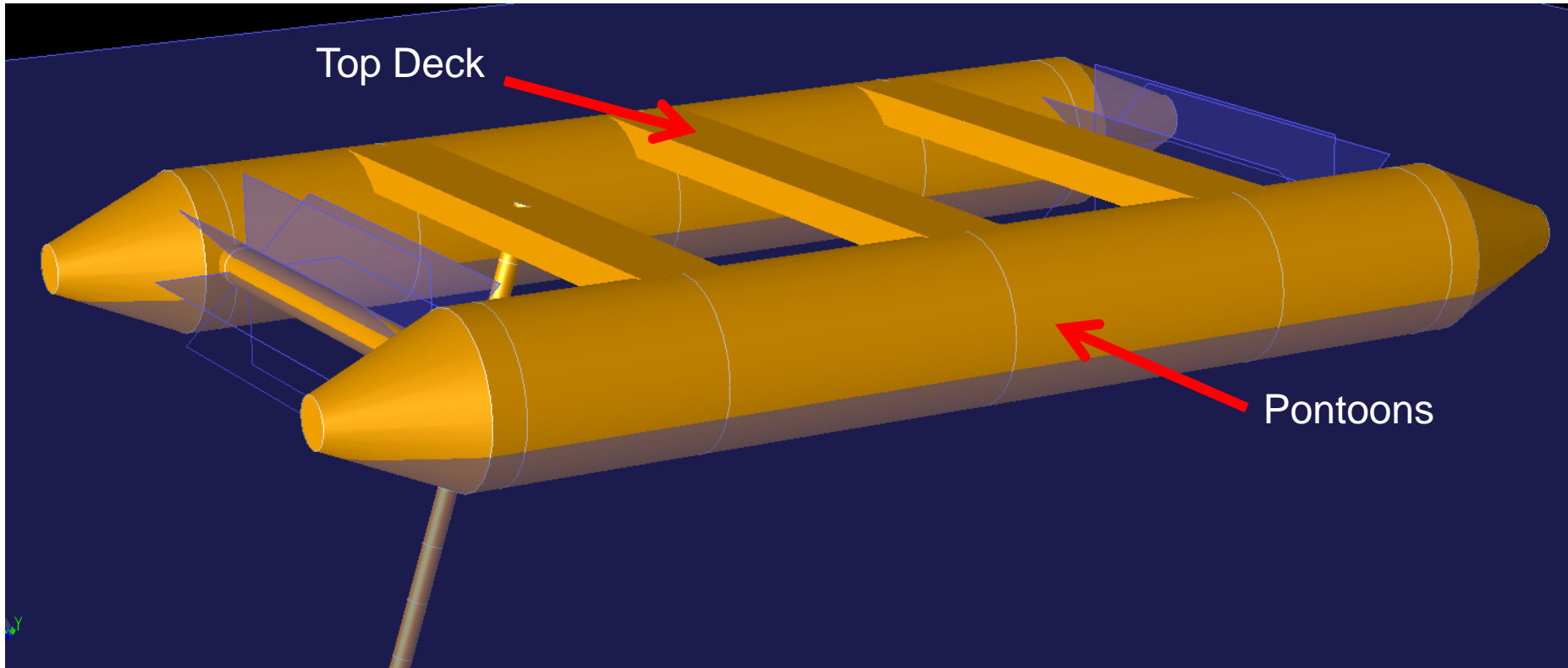
1. uses a simple single catenary mooring leg which allows the Current Catcher© to weathervane 360° as the current changes direction
2. ideal for a simple starter system with low investment cost and no traffic or other interferences.
3. can have one or more paddle wheels
4. always stays on the surface of the water allowing it to harness the highest water currents even as the surface changes elevation with tides and flow levels
5. allows safe surface maintenance of the entire generator system at any time
6. probably provides the highest power output of all devices
7. probably provides the highest power output for each investment money
8. the paddle wheels can turn a rotor inside the paddle wheel axles or can turn gears, drive shafts, pumps, etc. that in turn powers most types of generators
9. the generators can be located inside the pontoons or on the top deck
10. the generated power can be transformed on the Current Catcher© or after leaving the Current Catcher©
11. the generated power can be exported from the Current Catcher© but the most common way will probably be down the mooring system to the seabed

14-Stand Alone Double Paddle Wheel Current Catcher© With Round Pontoons and Catenary Mooring Leg

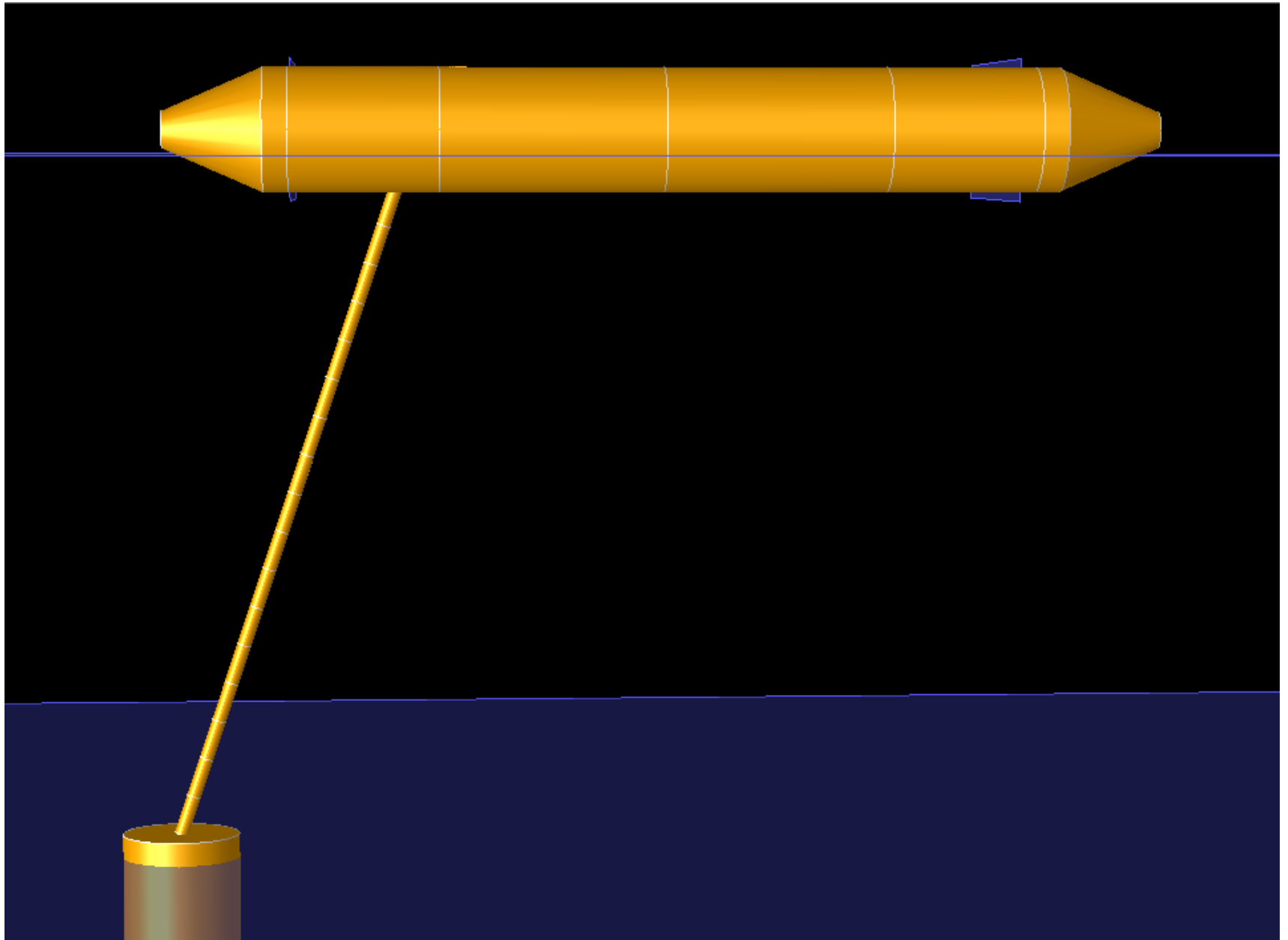


14-Stand Alone Double Paddle Wheel Current Catcher© With Round pontoons and Catenary Mooring Leg

The paddle wheels can turn rotors inside the paddle wheel axles or can turn gears, drive shafts, etc. that turn most types of generators. The generators can be located inside the pontoons or on the top deck



14-Stand Alone Double Paddle Wheel Current Catcher© With Round Pontoons and Catenary Mooring Leg



14-Stand Alone Double Paddle Wheel Current Catcher© With Round Pontoons and Catenary Mooring Leg

